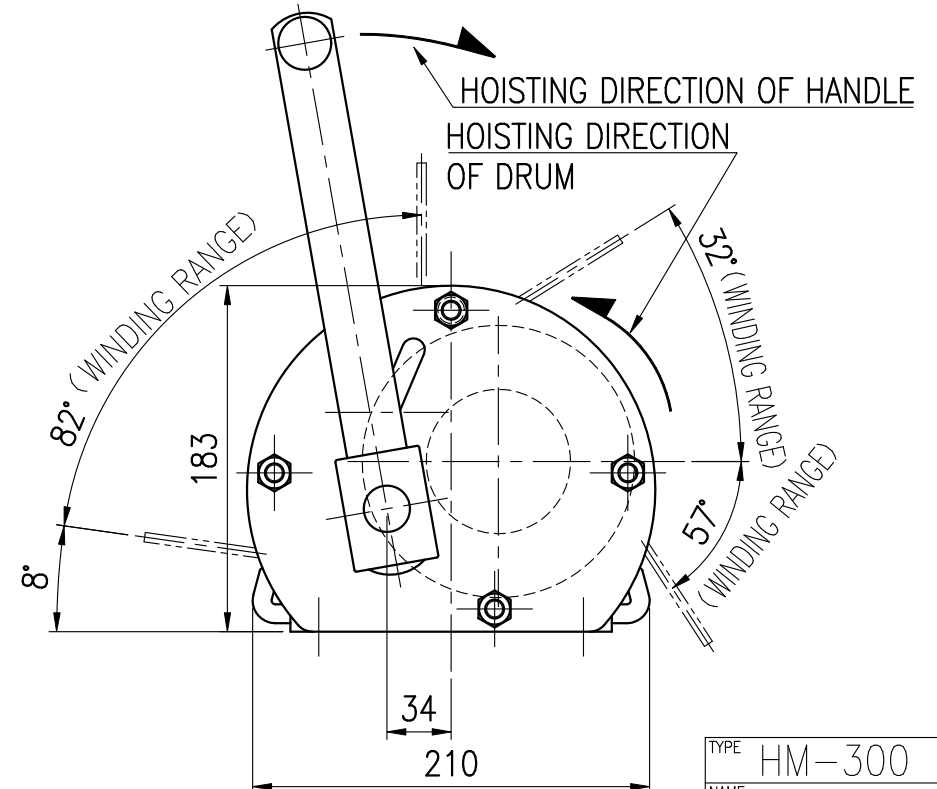


RECOMMENDED ROPE TERMINAL

SPECIFICATION

MODEL	HM-300
RATED CAPACITY	300 kg
GEAR RATIO	1:4.5
LENGTH OF WINDING	φ5×40m
HANDLE LENGTH	250 mm
HANDLE FORCE	19 kg
WEIGHT	10.3 kg (include HANDLE,HOLDER)

Wire rope and hook are not included.



TYPE	HM-300
NAME	OUTLINE
DRAWN No.	031155