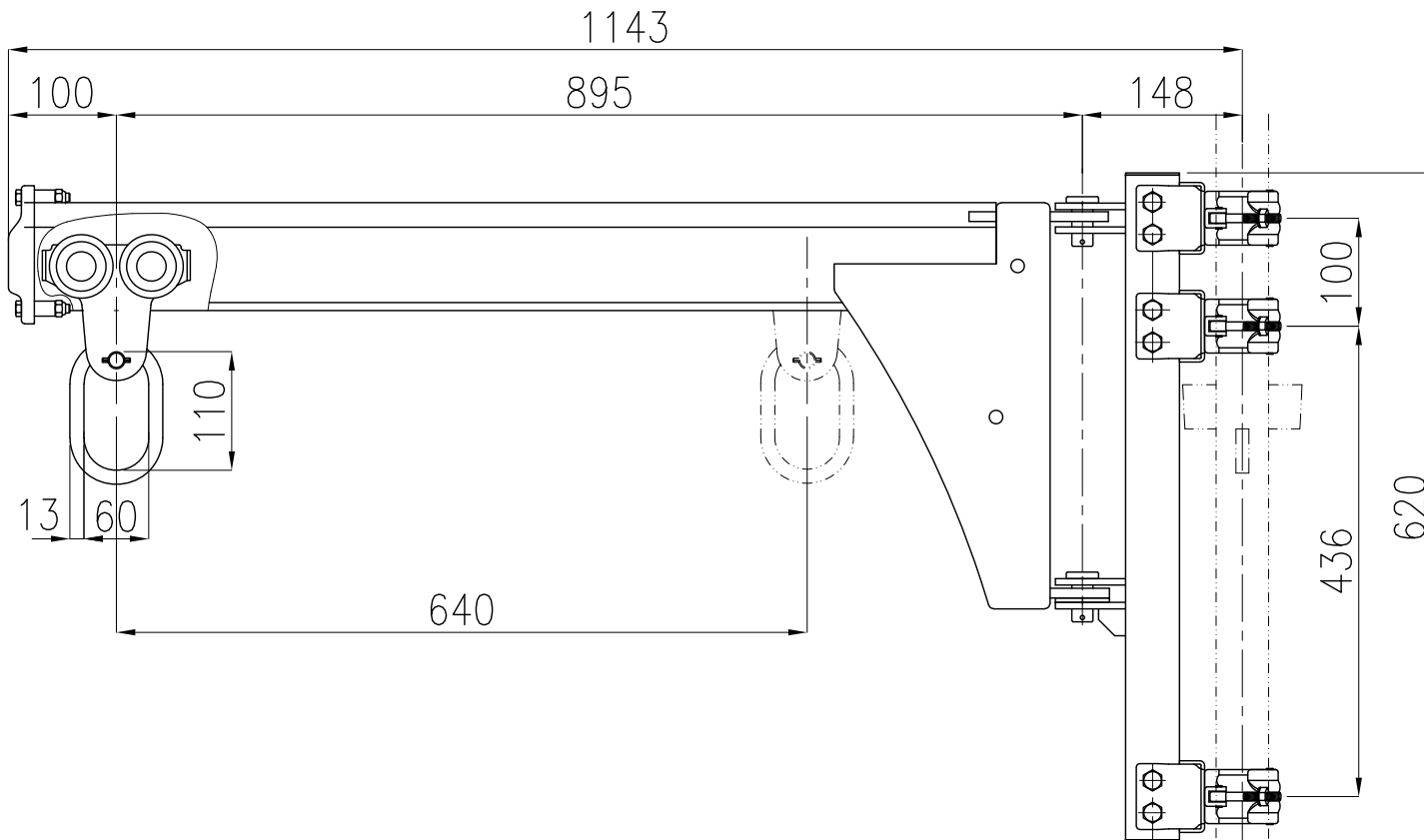


Specification SLIDE ARM

Model	280L
Rated Load	250 kg
Weight	14 kg
Max Lifting Load	Hoist Weight (30kg)+Rated Load (250kg)
Max Bending Moment of a Pipe	3600 N-m



Pipe
 $\phi 42.7 - \phi 48.6$

TYPE	280L
NAME	OUTLINE
DRAWN No.	053833