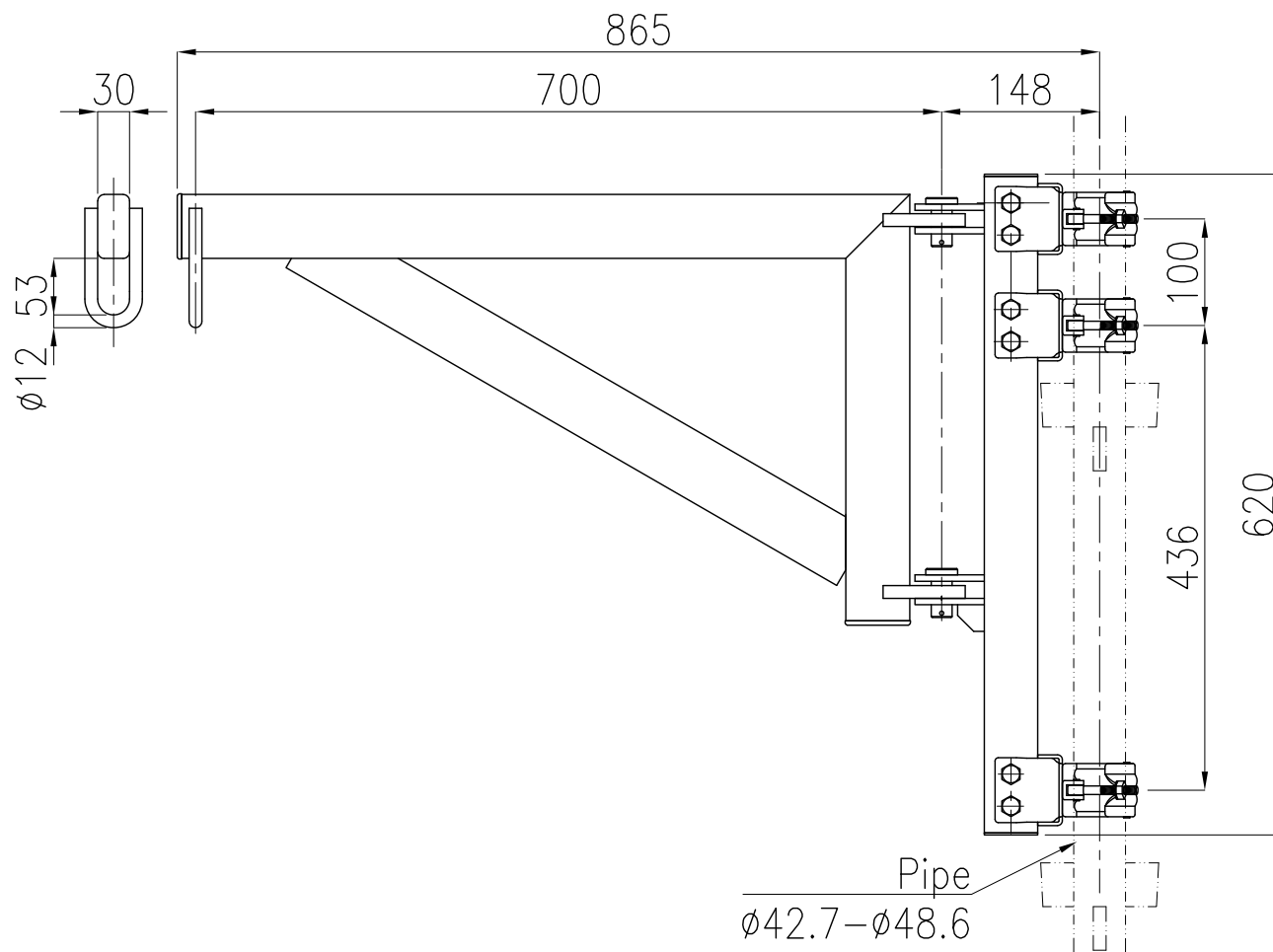


Specification MIGHTY ARM

| | |
|------------------------------|--|
| Model | 250L |
| Rated Load | 250 kg |
| Weight | 10 kg |
| Max Lifting Load | Hoist Weight (30kg)+Rated Load (250kg) |
| Max Bending Moment of a Pipe | 2650 N-m |



| | |
|-----------|--|
| TYPE | 250L |
| NAME | OUTLINE |
| DRAWN No. | 053832  |