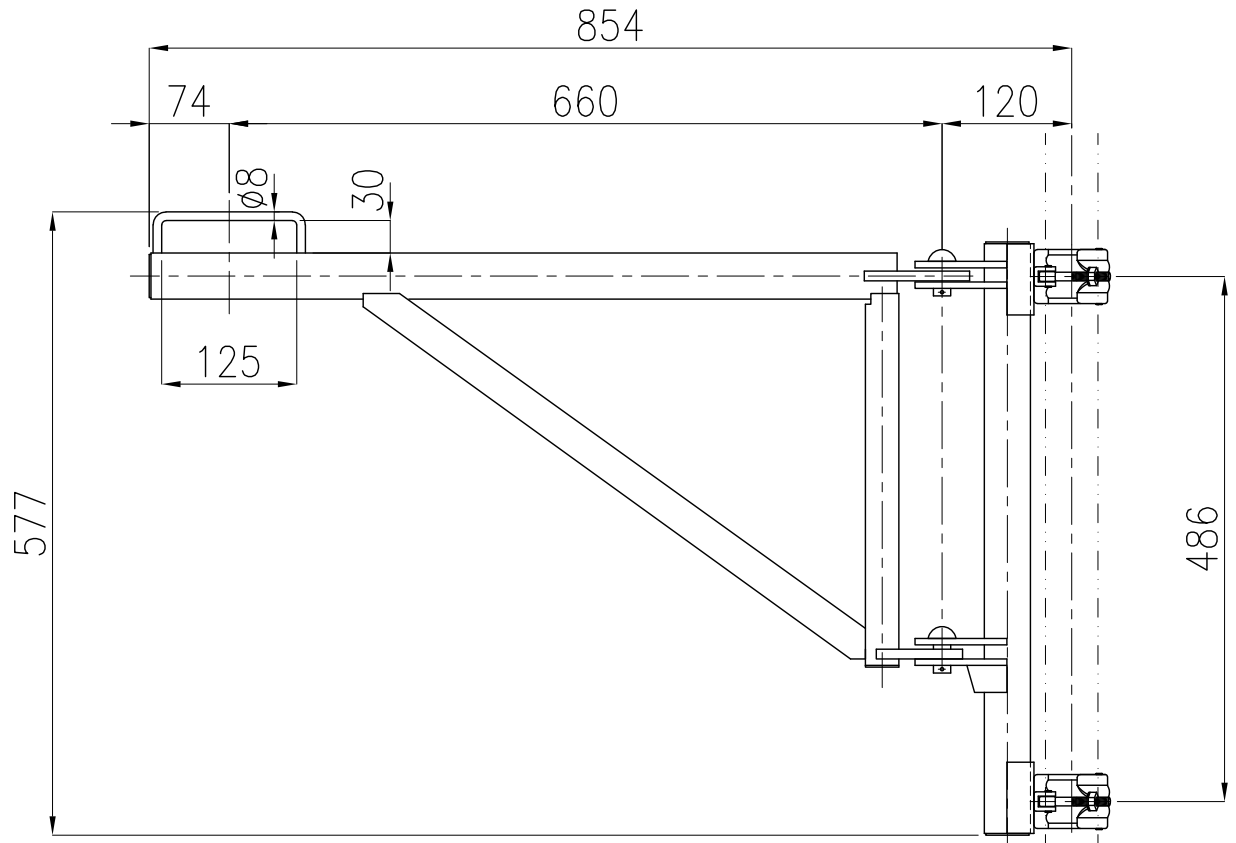


Specification MIGHTY ARM

Model	140A
Rated Load	140 kg
Weight	6.2 kg
Max Lifting Load	Hoist Weight (25kg)+Rated Load (140kg)
Max Bending Moment of a Pipe	169 kgf-m



Pipe
 $\phi 42.7 - \phi 48.6$

TYPE	140A
NAME	OUTLINE
DRAWN No.	022051 \triangle