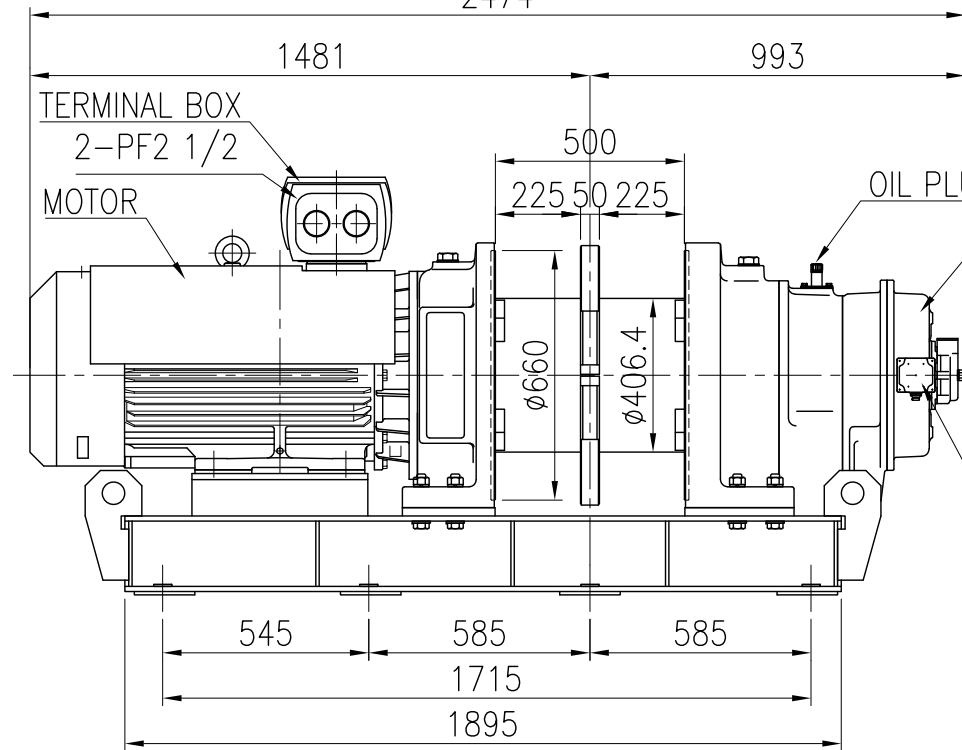
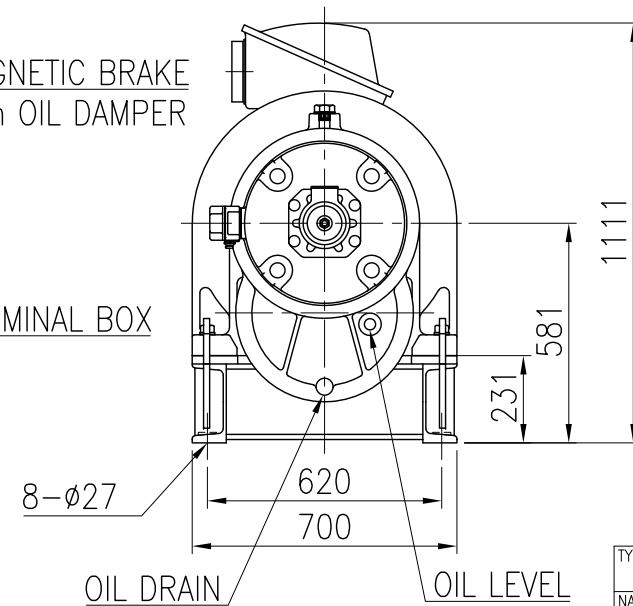


2474



SPECIFICATION

MODEL	MA-50P			
FREQUENCY	50	Hz	60	Hz
POLES	8 P	4 P	8 P	4 P
RATED LOAD	4000kg	2000kg	3300kg	1650kg
ROPE SPEED	53m/min	106m/min	63m/min	127m/min
LENGTH OF WINDING	ø20×190m, ø20×80m×2			
MOTOR	OUT PUT	POLES	VOLTAGE	
	37kW	4/8P	200V	
ISO CLASS	M5			
WEIGHT	2150 kg			



TYPE	MA-50P
NAME	OUTLINE
DRAWN No.	016298