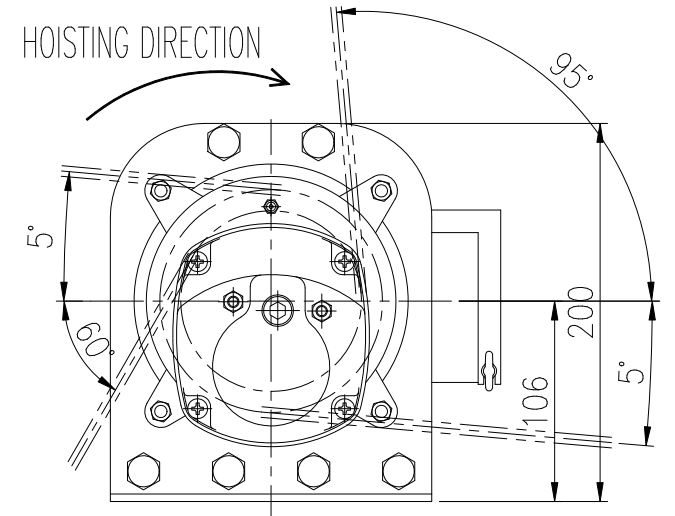
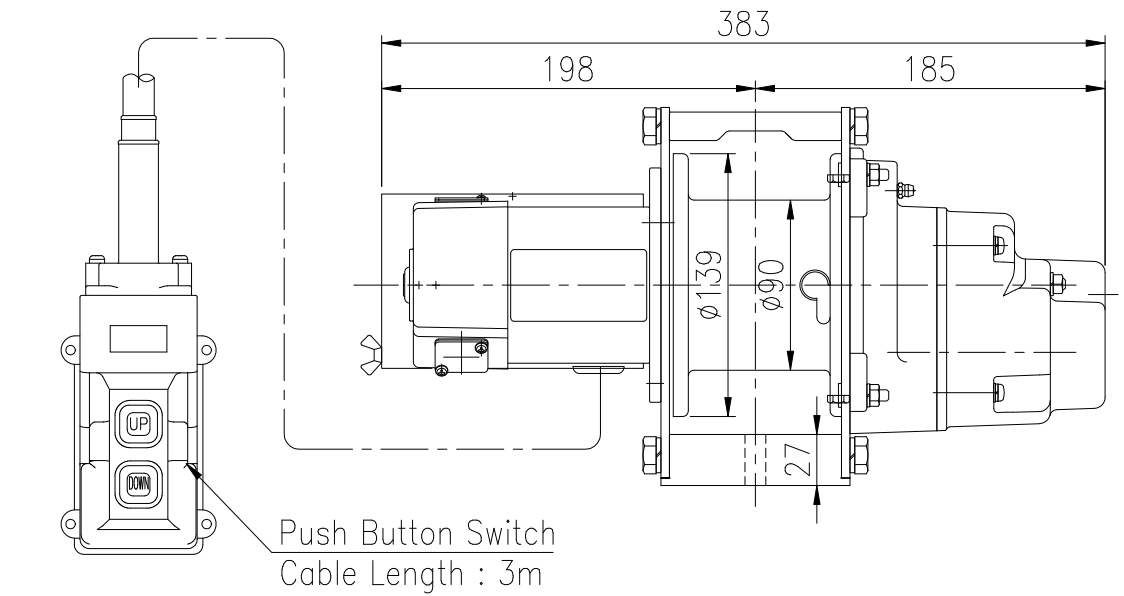


SPECIFICATION

MODEL	BM-360SH8	
POWER SUPPLY	DC 24V	
RATED LOAD	300	kg
ROPE SPEED	8	m/min
LENGTH OF WINDING	φ5.56×12m (aircraft cable)	
MOTOR	OUTPUT	CURRENT
	440W	23A
WINCH RATING	10min	
WEIGHT	12	kg

Accessories 1.Wire Rope φ5.56×8m
with Swivel Hook(0.5t)
2.Handle
Safty Device Slip Clutch



TYPE	BM-360SH8
NAME	OUTLINE
DRAWN No.	029465