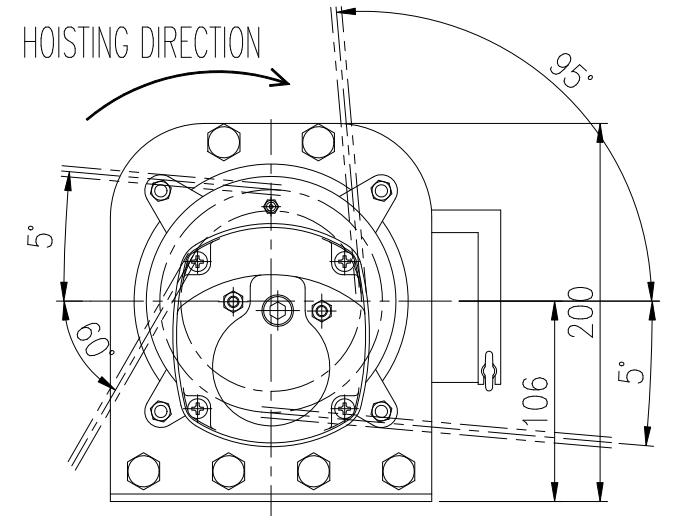
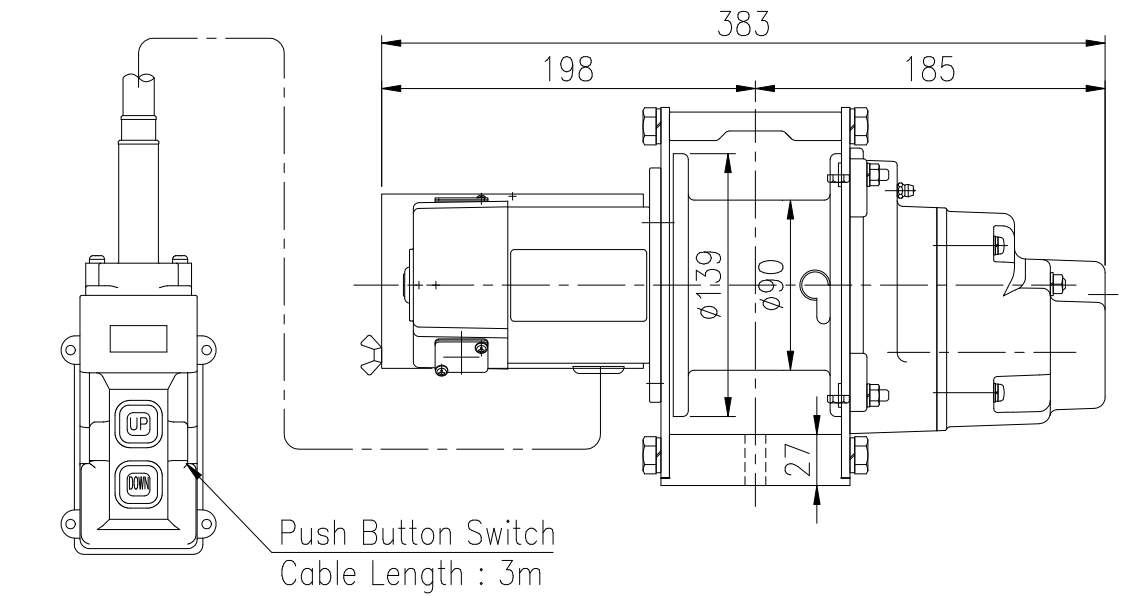


SPECIFICATION

| | | |
|-------------------|----------------------------|---------|
| MODEL | BM-360S | |
| POWER SUPPLY | DC 24V | |
| RATED LOAD | 450 | kg |
| ROPE SPEED | 5 | m/min |
| LENGTH OF WINDING | Ø5.56×12m (aircraft cable) | |
| MOTOR | OUTPUT | CURRENT |
| | 440W | 23A |
| WINCH RATING | 10min | |
| WEIGHT | 12 | kg |

Accessories 1.Wire Rope Ø5.56×8m
with Swivel Hook(0.5t)
2.Handle
Safety Device Slip Clutch



| | |
|-----------|---------|
| TYPE | BM-360S |
| NAME | OUTLINE |
| DRAWN No. | 029464 |