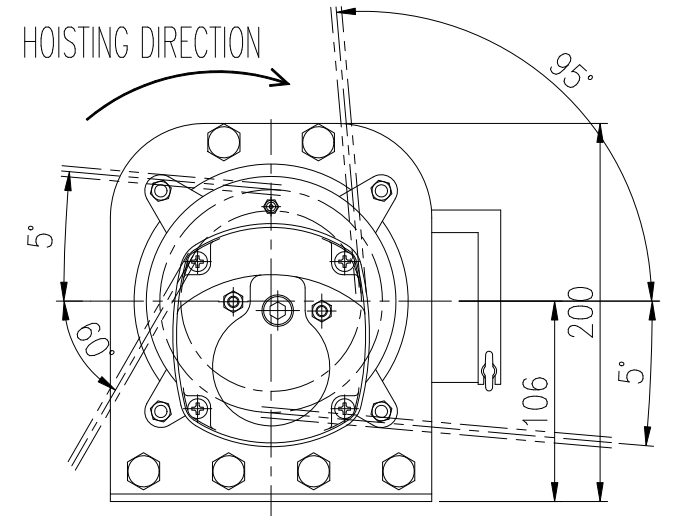
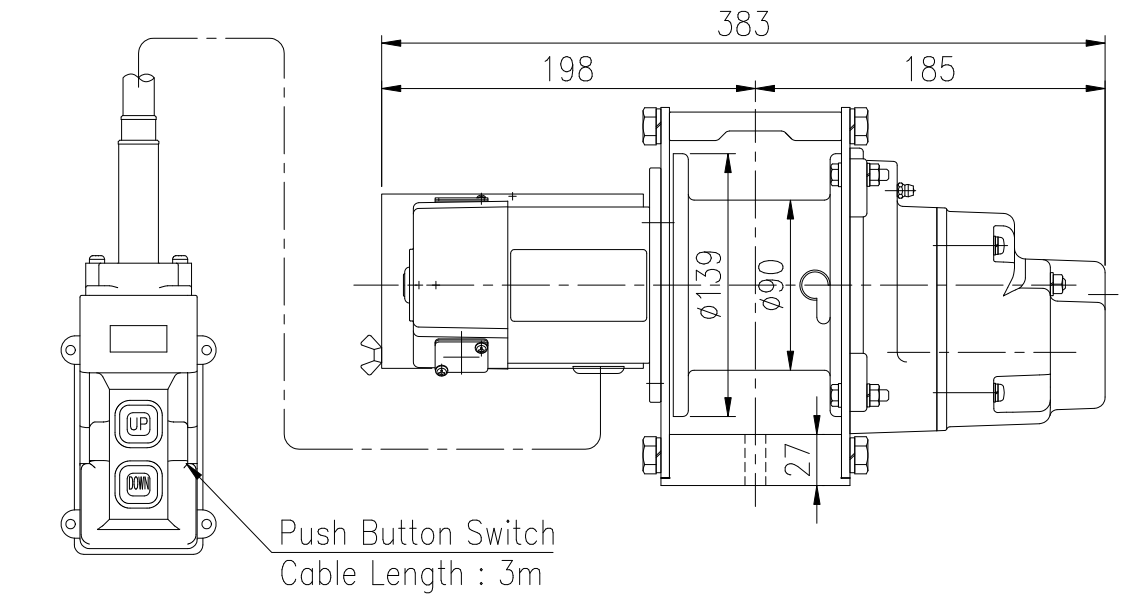


SPECIFICATION

MODEL	BM-360H8	
POWER SUPPLY	DC 12V	
RATED LOAD	300	kg
ROPE SPEED	5	m/min
LENGTH OF WINDING	ø5.56×12m (aircraft cable)	
MOTOR	OUTPUT	CURRENT
	300W	35A
WINCH RATING	15min	
WEIGHT	12 kg	

Accessories 1.Wire Rope ø5.56×8m
with Swivel Hook(0.5t)
2.Handle
Safty Device Slip Clutch



TYPE	BM-360H8
NAME	OUTLINE
DRAWN No.	029461