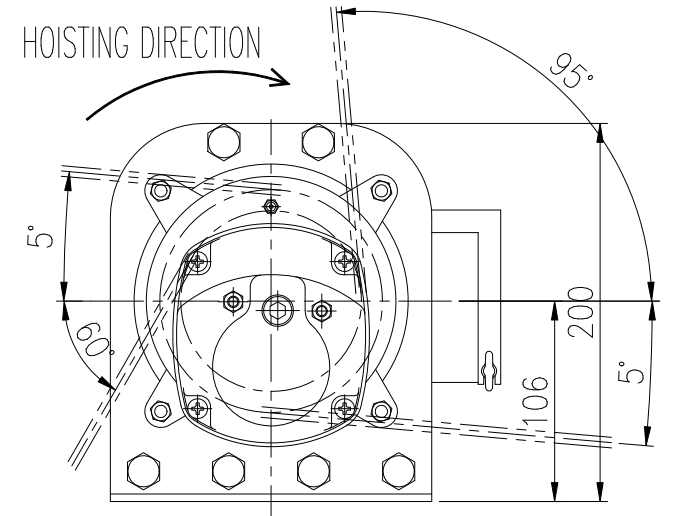
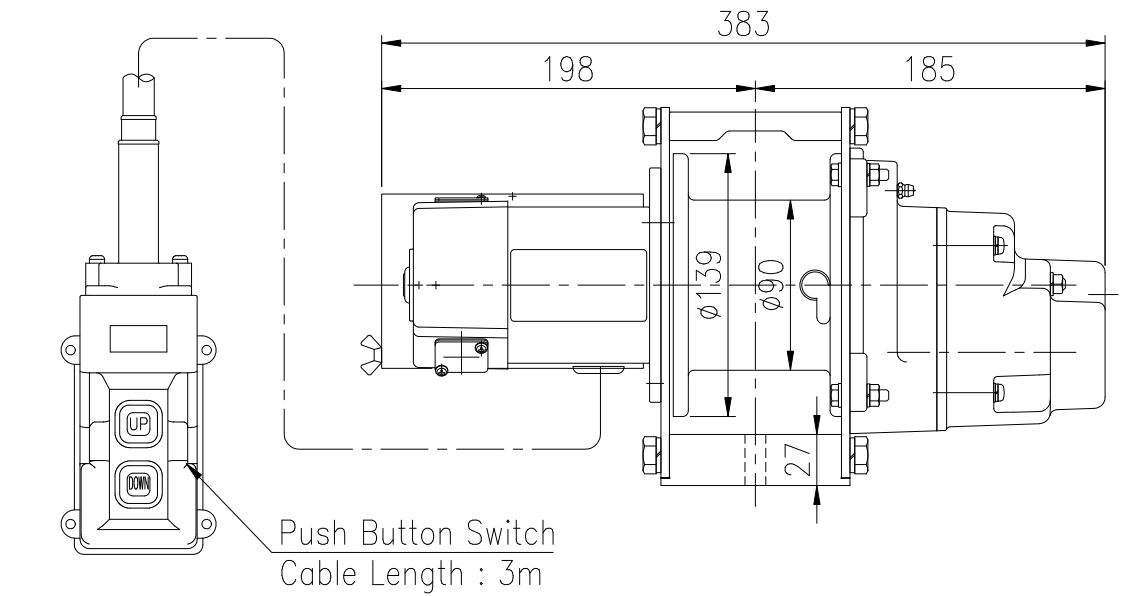


SPECIFICATION

MODEL	BM-360	
POWER SUPPLY	DC 12V	
RATED LOAD	450	kg
ROPE SPEED	3	m/min
LENGTH OF WINDING	Ø5.56×12m (aircraft cable)	
MOTOR	OUTPUT	CURRENT
	300W	35A
WINCH RATING	15min	
WEIGHT	12	kg

Accessories 1.Wire Rope Ø5.56×8m  
with Swivel Hook(0.5t)  
2.Handle  
Safety Device Slip Clutch



TYPE	BM-360
NAME	OUTLINE
DRAWN No.	029460