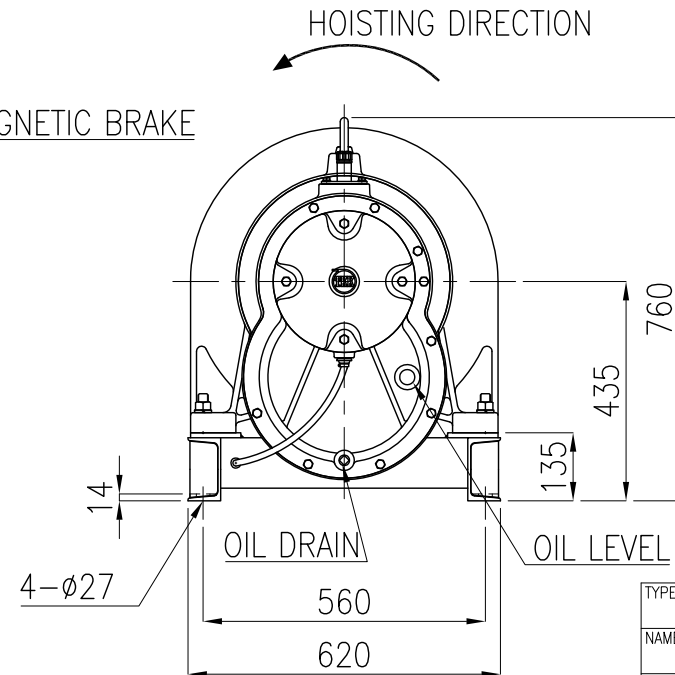
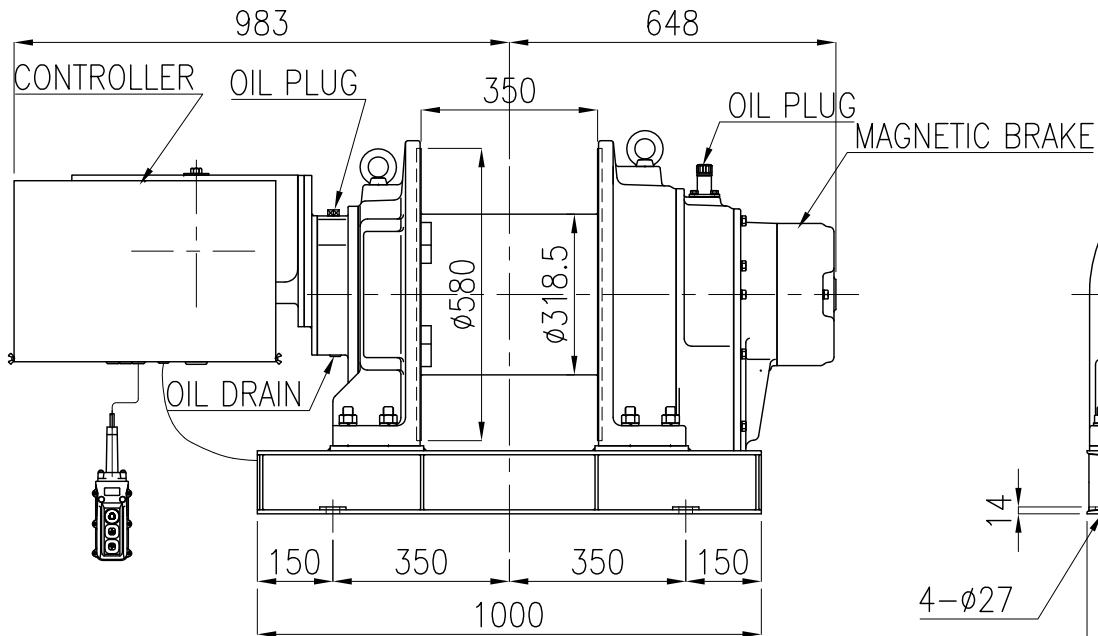


### SPECIFICATION

MODEL	MA-20G20(S)		
FREQUENCY	50 Hz	60 Hz	
RATED LOAD	1500 kg	1500 kg	
ROPE SPEED	20 m/min	24 m/min	
LENGTH OF WINDING	ø16×180m(7Ls)		
MOTOR	OUTPUT	POLES	VOLTAGE
	8.1kW	4P	200V
ISO CLASS	M5		
WEIGHT	600 kg		



TYPE	MA-20G20(S)
NAME	OUTLINE
DRAWN No.	051467