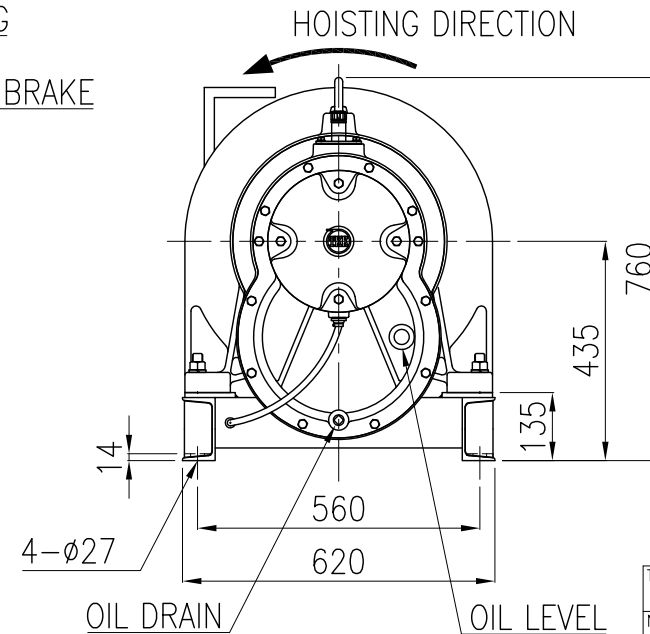
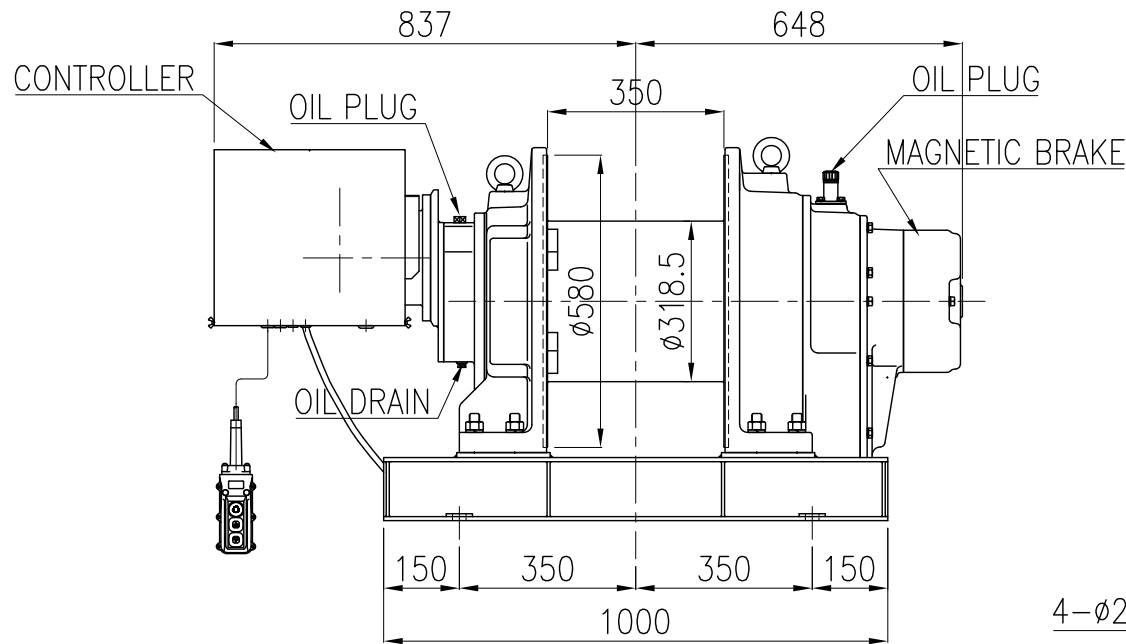


SPECIFICATION

| | | | |
|-------------------|-------------|----------|---------|
| MODEL | MA-20G13(S) | | |
| FREQUENCY | 50 Hz | 60 Hz | |
| RATED LOAD | 1500 kg | 1500 kg | |
| ROPE SPEED | 13 m/min | 16 m/min | |
| LENGTH OF WINDING | ø16×180m | | |
| MOTOR | OUTPUT | POLES | VOLTAGE |
| | 3.9kW | 4P | 200V |
| ISO CLASS | M5 | | |
| WEIGHT | 600 kg | | |



| | |
|-----------|-------------|
| TYPE | MA-20G13(S) |
| NAME | OUTLINE |
| DRAWN No. | 051466 |