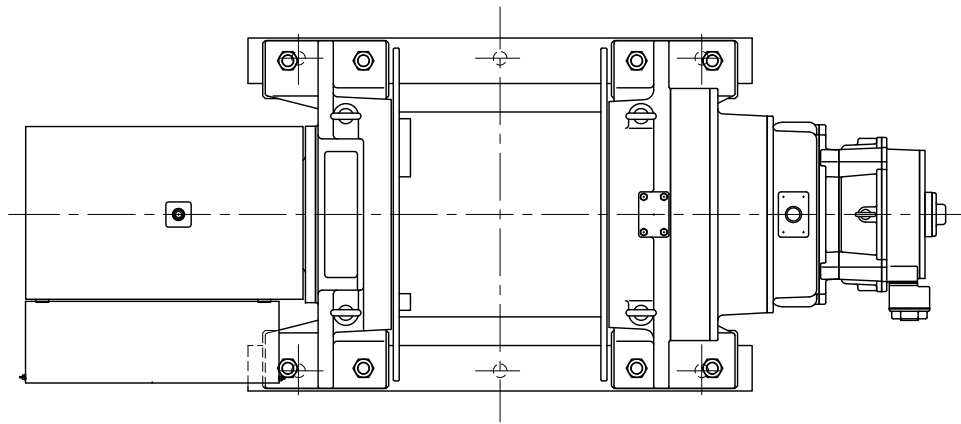
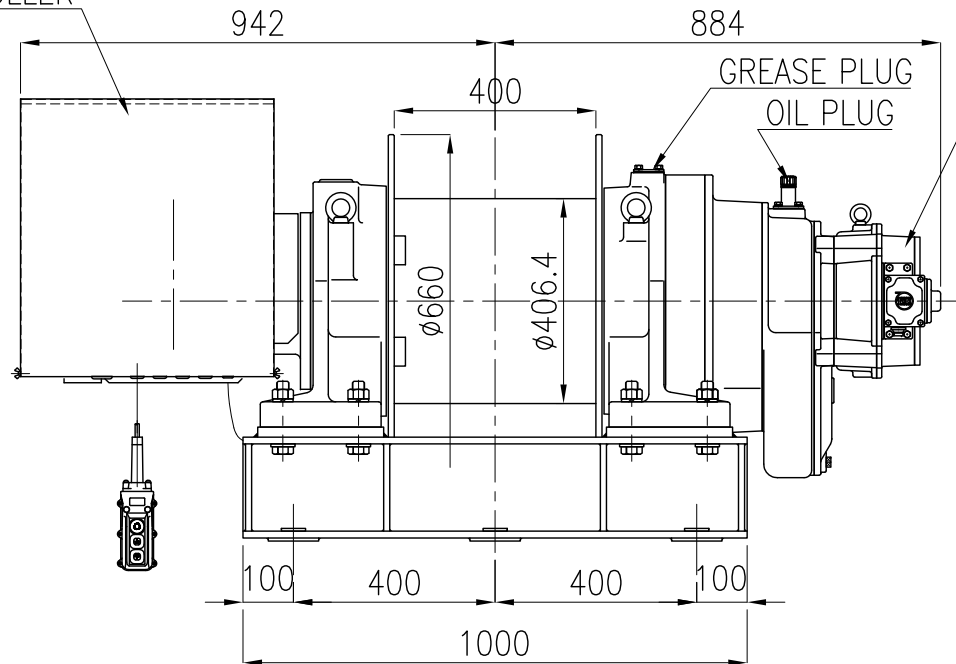


### SPECIFICATION

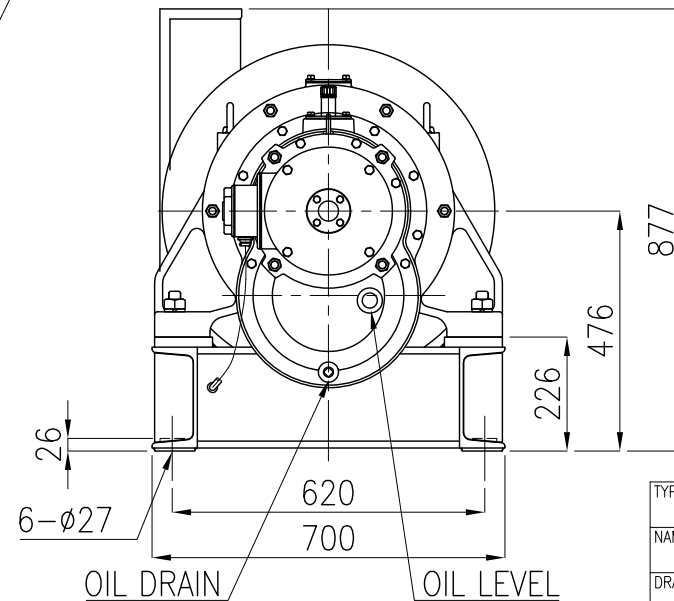
MODEL	MAW-40H20(S)		
FREQUENCY	50 Hz	60 Hz	
RATED LOAD	3000 kg	3000 kg	
ROPE SPEED	20 m/min	24 m/min	
LENGTH OF WINDING	ø18×200m		
MOTOR	OUTPUT	POLES	VOLTAGE
	15kW	4P	200V
ISO CLASS	M4		
WEIGHT	890 kg		



CONTROLLER



MAGNETIC BRAKE



TYPE	MAW-40H20(S)
NAME	OUTLINE
DRAWN No.	051477