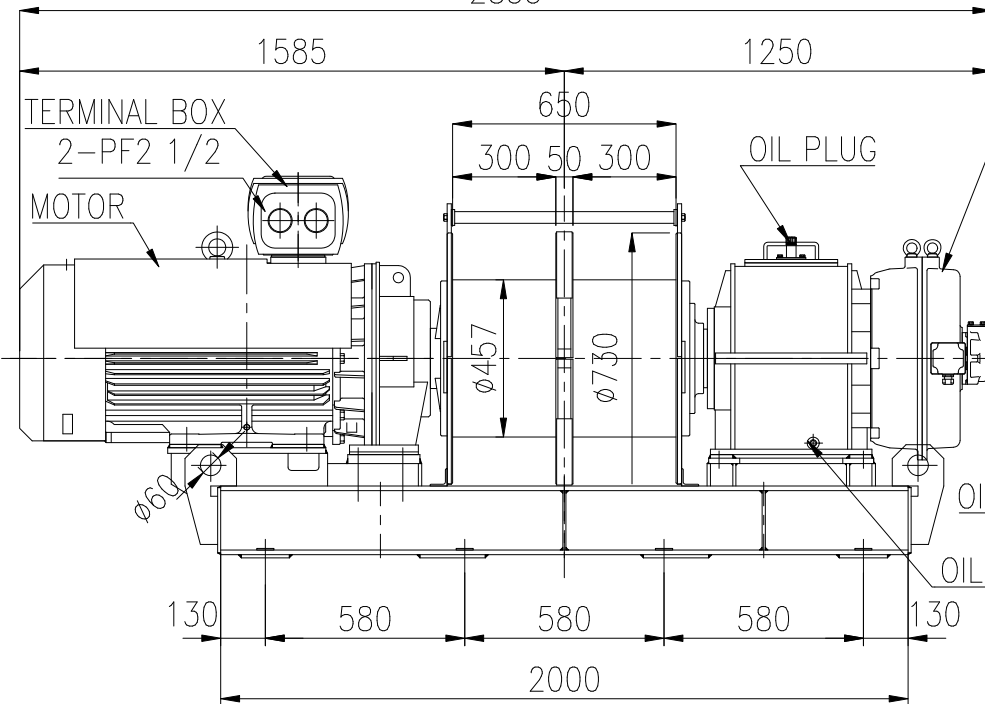
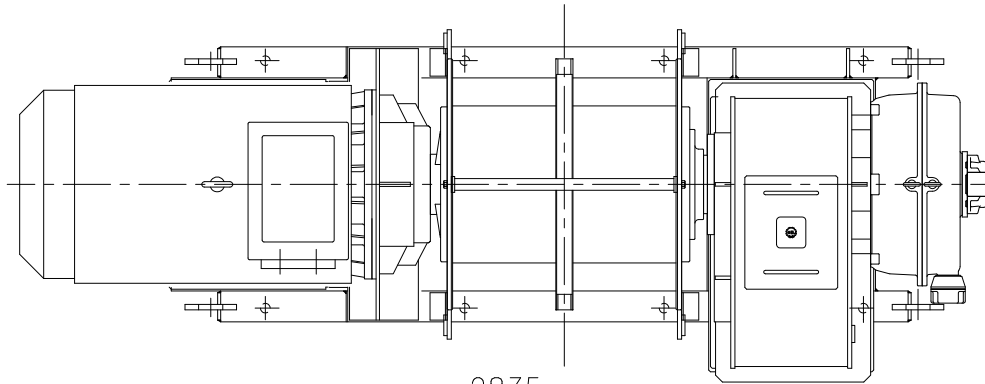
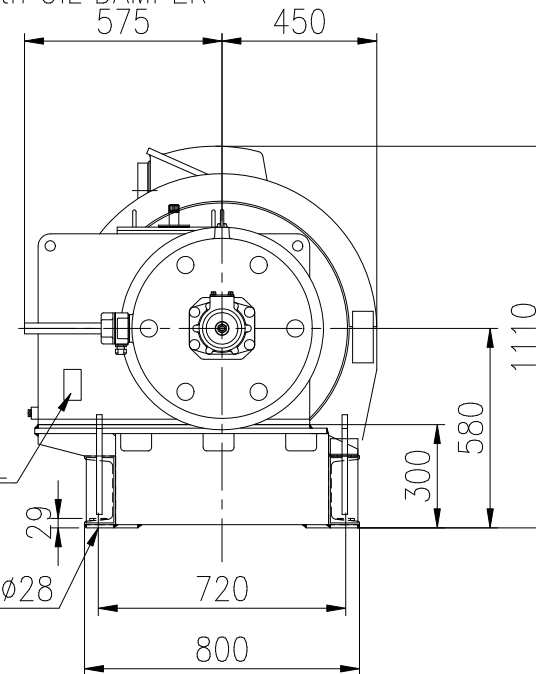


SPECIFICATION

MODEL	MA-75		
FREQUENCY	50 Hz	60 Hz	
RATED LOAD	5300 kg	5300 kg	
ROPE SPEED	51 m/min	61 m/min	
LENGTH OF WINDING	φ22.4x250m(5Ls), φ16x220m x 2(7Ls)		
MOTOR	OUTPUT	POLES	VOLTAGE
	55kW	8P	200V
ISO CLASS	M5		
WEIGHT	2630 kg		



MAGNETIC BRAKE
with OIL DAMPER
575



TYPE	MA-75
NAME	OUTLINE
DRAWN No.	037328