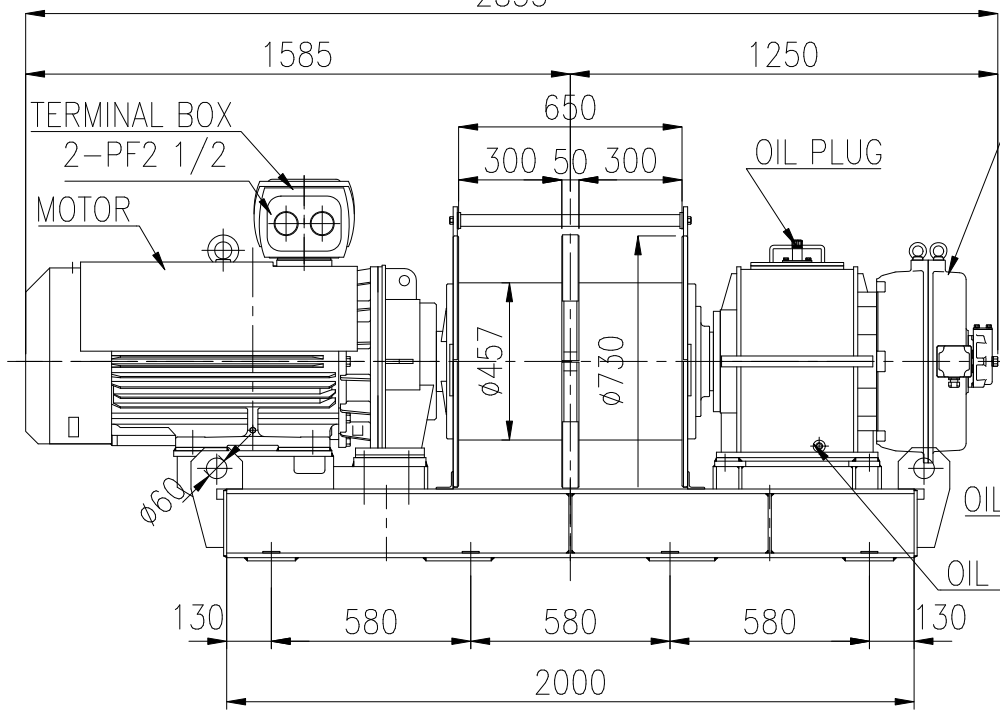
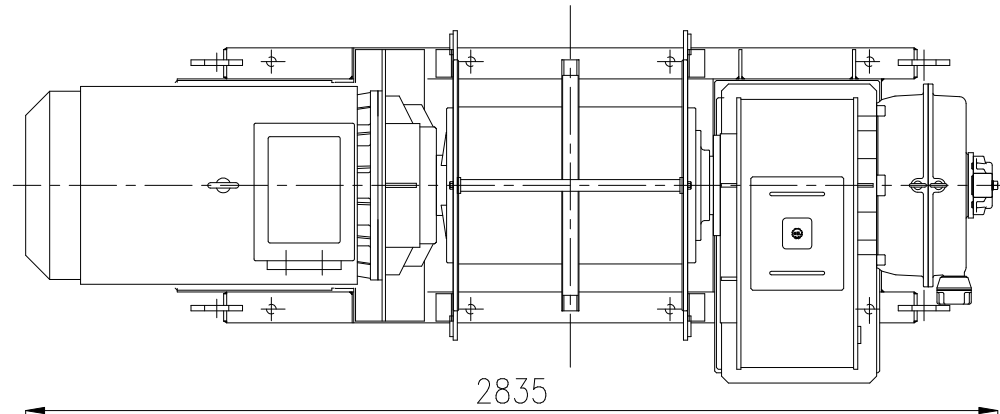
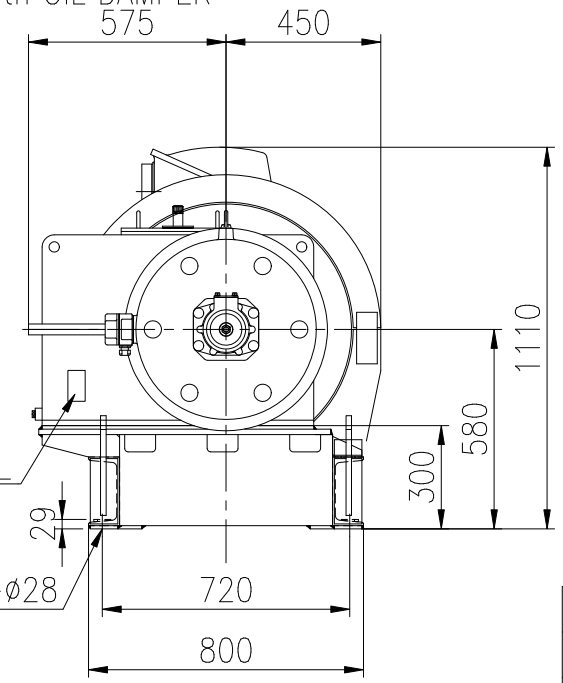


### SPECIFICATION

|                   |                                    |          |         |           |
|-------------------|------------------------------------|----------|---------|-----------|
| MODEL             | MA-75P                             |          |         |           |
| FREQUENCY         | 50                                 | Hz       | 60      | Hz        |
| POLES             | 8P                                 | 4P       | 8P      | 4P        |
| RATED LOAD        | 5300 kg                            | 2650 kg  | 5300 kg | 2650 kg   |
| ROPE SPEED        | 51m/min                            | 101m/min | 61m/min | 122 m/min |
| LENGTH OF WINDING | φ22.4x250m(5Ls), φ16x220m x 2(7Ls) |          |         |           |
| MOTOR             | OUT PUT                            | POLES    | VOLTAGE |           |
|                   | 55kW                               | 4/8P     | 200V    |           |
| ISO CLASS         | M5                                 |          |         |           |
| WEIGHT            | 2630 kg                            |          |         |           |



MAGNETIC BRAKE  
with OIL DAMPER  
575



|           |         |
|-----------|---------|
| TYPE      | MA-75P  |
| NAME      | OUTLINE |
| DRAWN No. | 037329  |