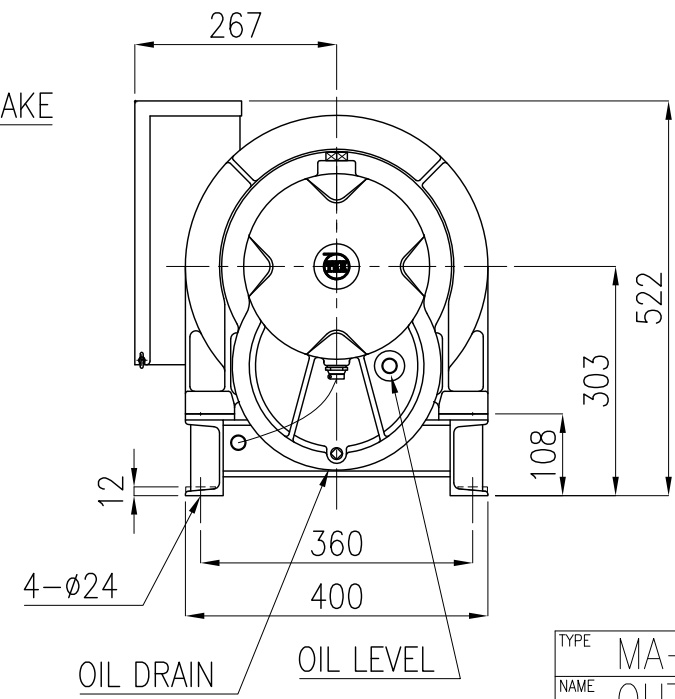
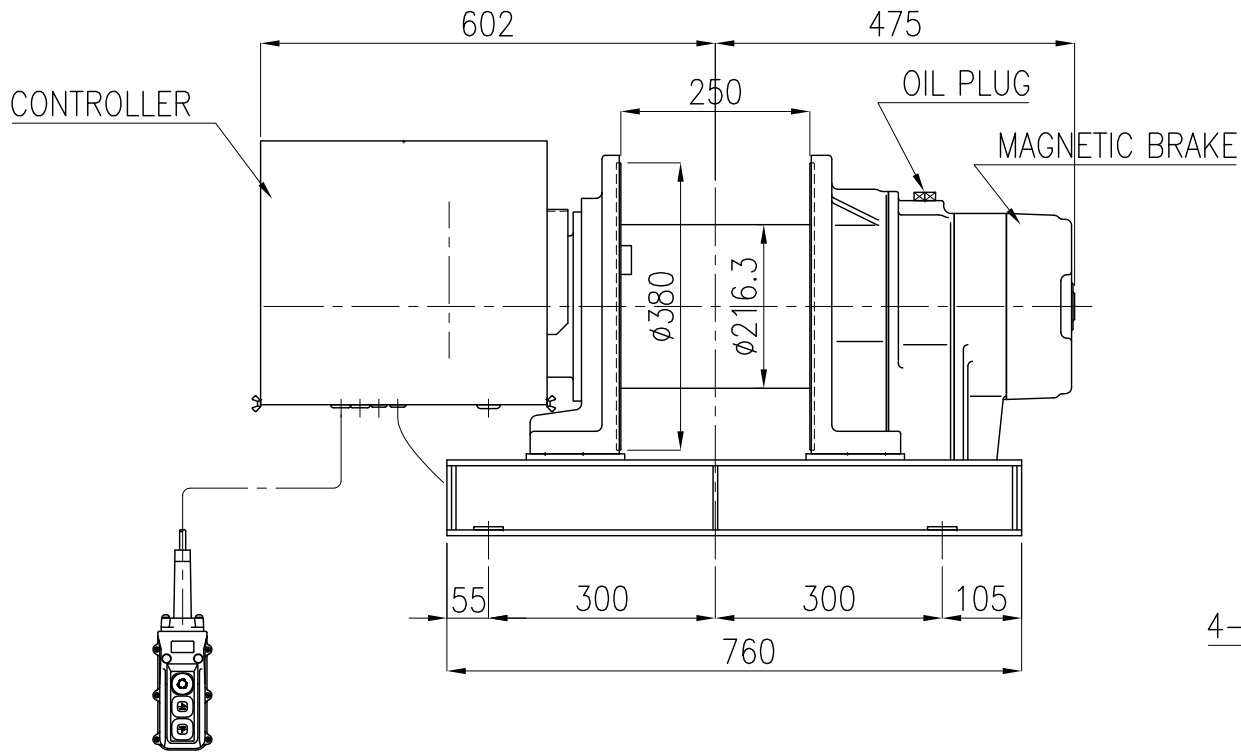


SPECIFICATION

MODEL	MA-5(S)		
FREQUENCY	50 Hz	60 Hz	
RATED LOAD	650 kg	550 kg	
ROPE SPEED	33 m/min	40 m/min	
LENGTH OF WINDING	φ10×150m		
MOTOR	OUTPUT	POLES	VOLTAGE
	3.9kW	4P	200V
ISO CLASS	M5		
WEIGHT	230 kg		



TYPE	MA-5(S)
NAME	OUTLINE
DRAWN No.	051446