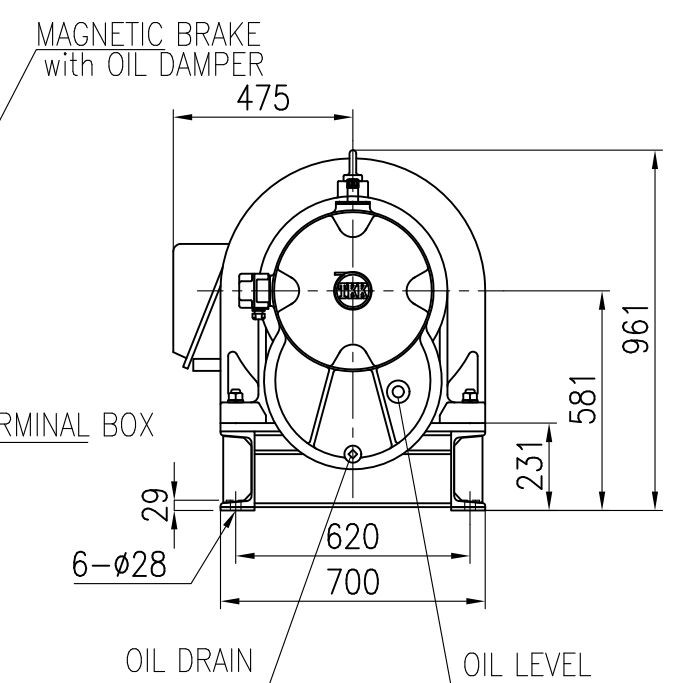
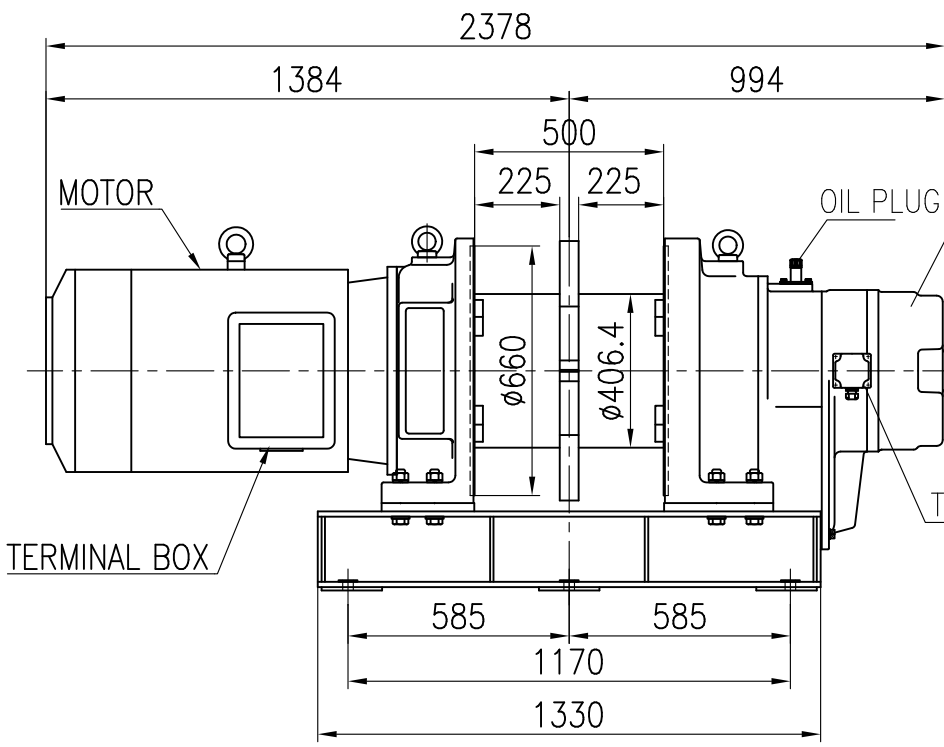
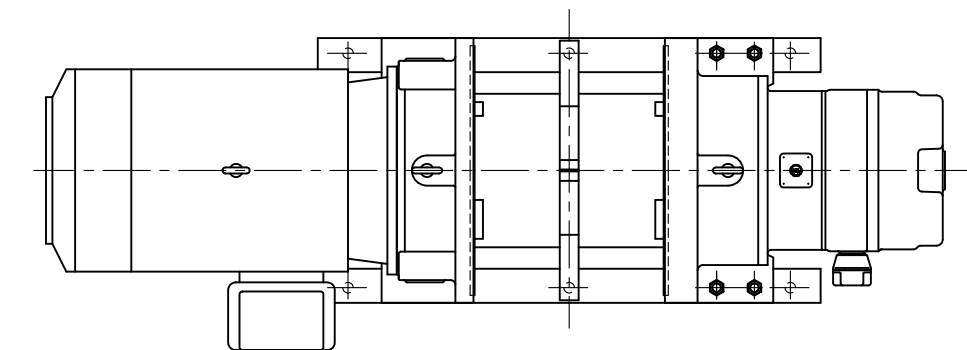


SPECIFICATION

| | | | |
|-------------------|----------------------|----------|---------|
| MODEL | MA-40 | | |
| FREQUENCY | 50 Hz | 60 Hz | |
| RATED LOAD | 3000 kg | 2500 kg | |
| ROPE SPEED | 53 m/min | 64 m/min | |
| LENGTH OF WINDING | φ18×250m, φ18×110m×2 | | |
| MOTOR | OUTPUT | POLES | VOLTAGE |
| | 28kW | 8P | 200V |
| ISO CLASS | M5 | | |
| WEIGHT | 1630 kg | | |



| | |
|-----------|---------|
| TYPE | MA-40 |
| NAME | OUTLINE |
| DRAWN No. | 052959 |