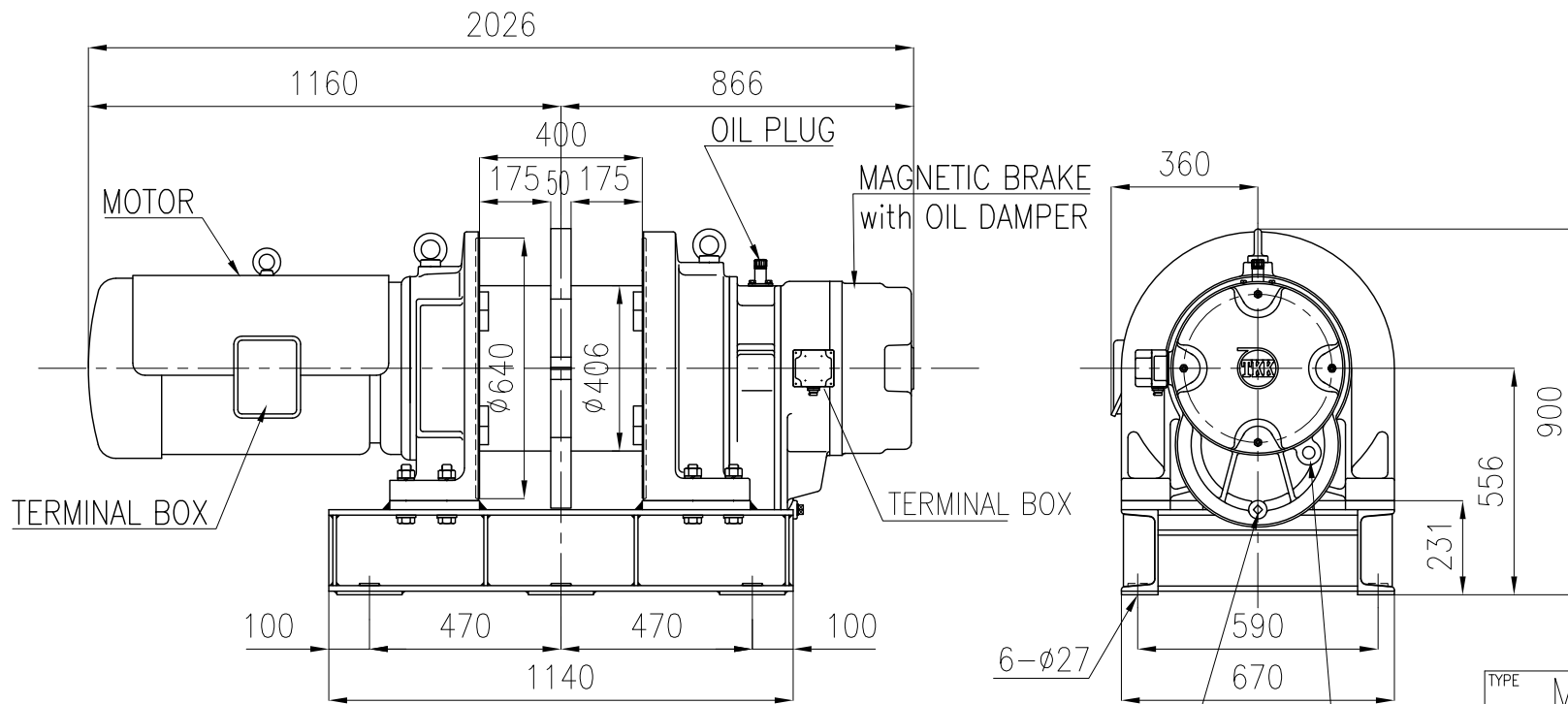


SPECIFICATION

MODEL	MA-35		
FREQUENCY	50 Hz	60 Hz	
RATED LOAD	2500 kg	2000 kg	
ROPE SPEED	50 m/min	60 m/min	
LENGTH OF WINDING	ø18×65m × 2		
MOTOR	OUTPUT	POLES	VOLTAGE
	25kW	8P	200V
ISO CLASS	M5		
WEIGHT	1350 kg		



TYPE	MA-35
NAME	OUTLINE
DRAWN No.	012870