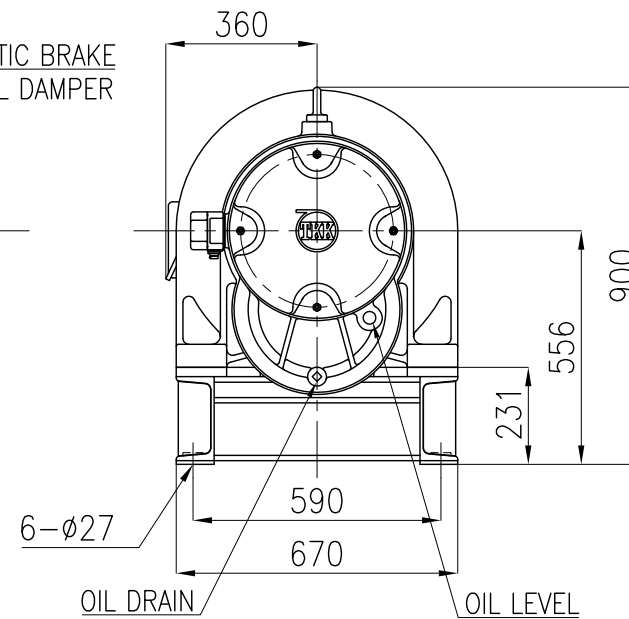
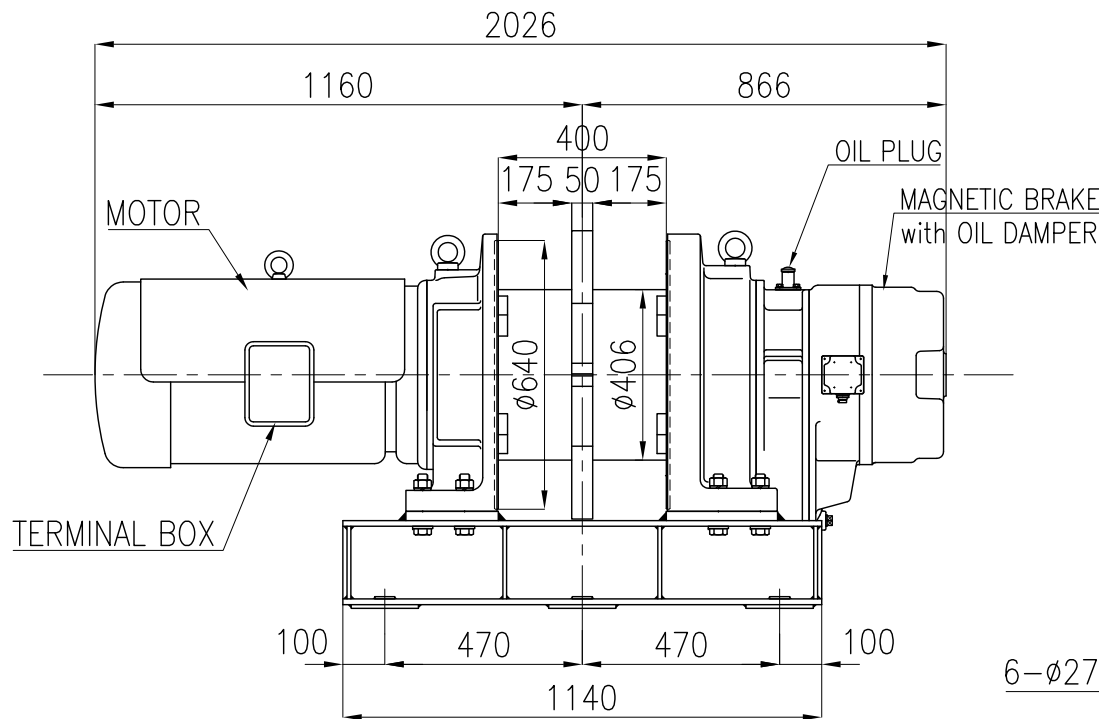


SPECIFICATION

MODEL	MA-35P			
FREQUENCY	50	Hz	60	Hz
POLES	8 P	4 P	8 P	4 P
RATED LOAD	2500 kg	1250 kg	2000 kg	1000 kg
ROPE SPEED	50 m/min	100 m/min	60 m/min	120 m/min
LENGTH OF WINDING	ø18×65m × 2			
MOTOR	OUT PUT	POLES	VOLTAGE	
	25kW	4/8P	200V	
ISO CLASS	M5			
WEIGHT	1350 kg			



TYPE	MA-35P
NAME	OUTLINE
DRAWN No.	012887△