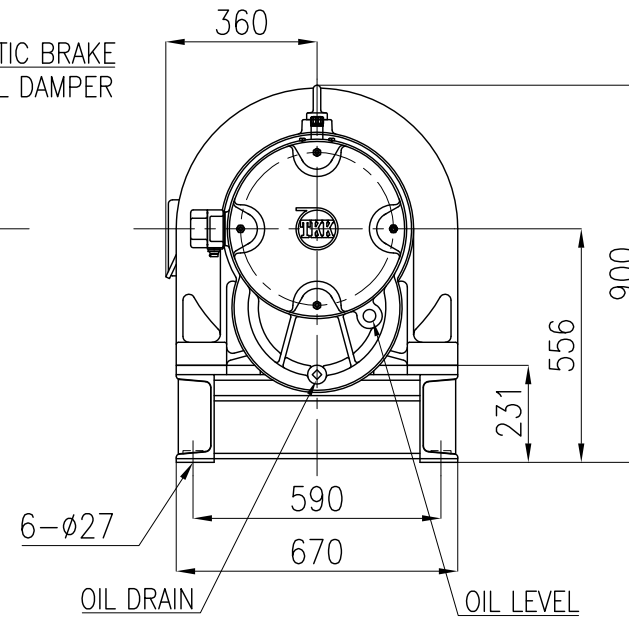
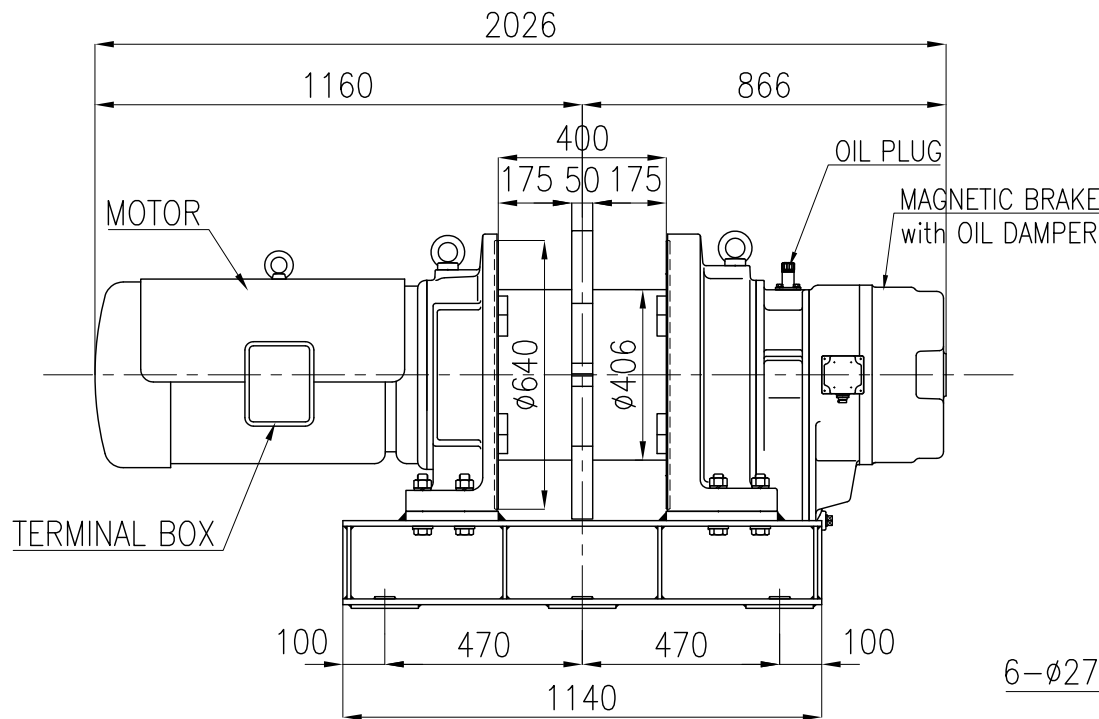


SPECIFICATION

MODEL	MA-35PH42			
FREQUENCY	50	Hz	60	Hz
POLES	8P	4P	8P	4P
RATED LOAD	2500 kg	1250 kg	2500 kg	1250 kg
ROPE SPEED	42 m/min	84 m/min	50 m/min	100 m/min
LENGTH OF WINDING	ø18x65m x 2			
MOTOR	OUT PUT	POLES	VOLTAGE	
	25kW	4/8P	200V	
ISO CLASS	M5			
WEIGHT	1350		kg	



TYPE	MA-35PH42
NAME	OUTLINE
DRAWN No.	051369