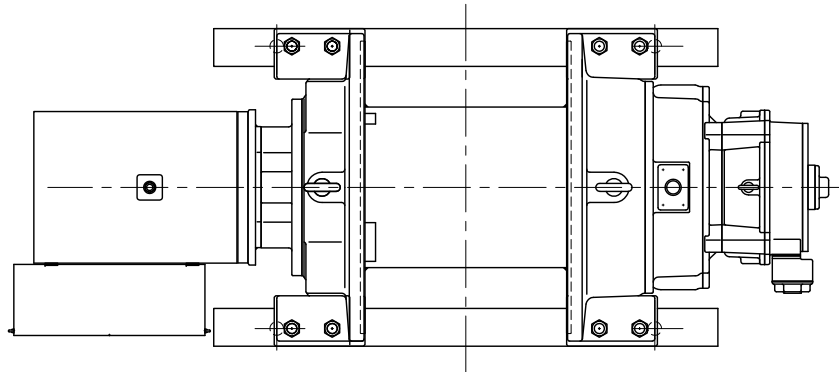
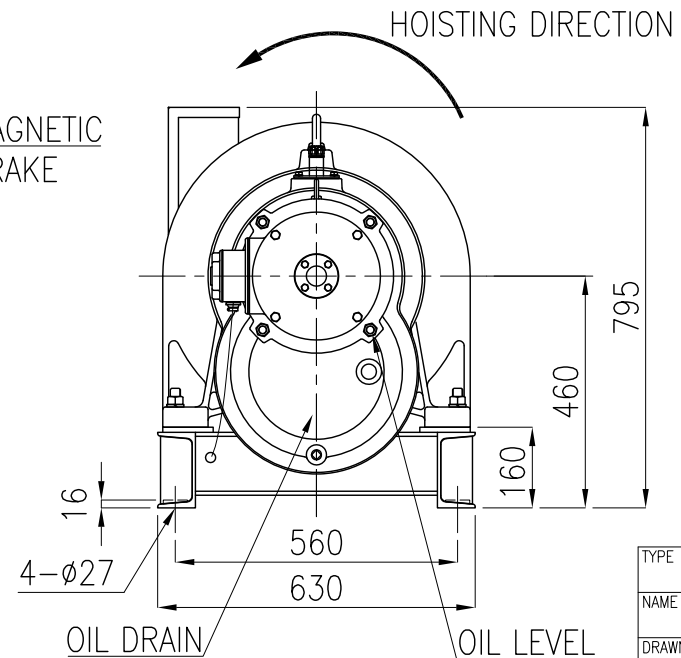
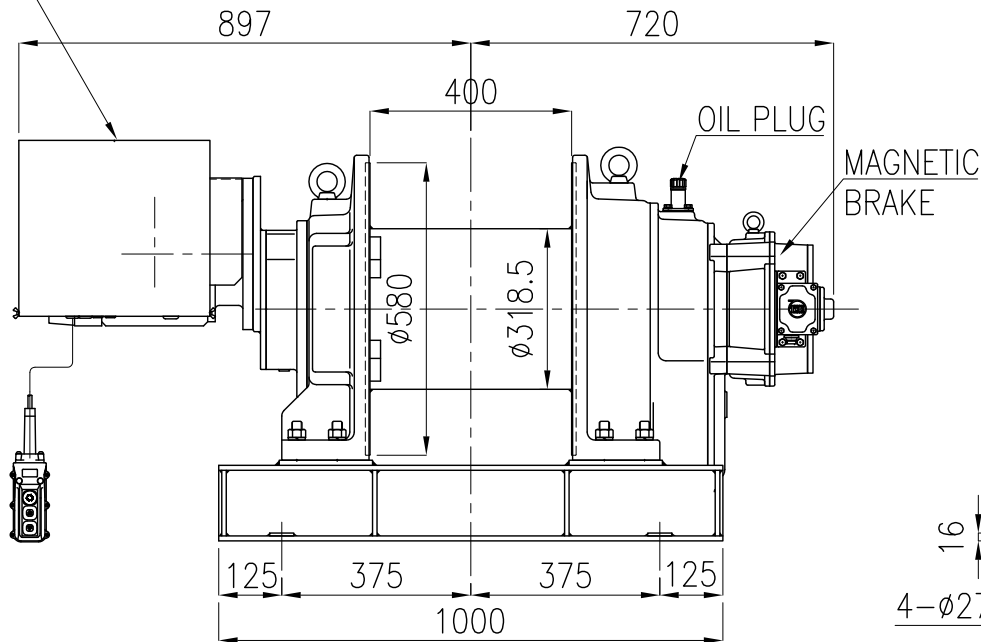


SPECIFICATION

MODEL	MA-25H40G13(S)		
FREQUENCY	50 Hz	60 Hz	
RATED LOAD	2000 kg	2000 kg	
ROPE SPEED	13 m/min	16 m/min	
LENGTH OF WINDING	ø16×220m		
MOTOR	OUTPUT	POLES	VOLTAGE
	6.1kW	4P	200V
ISO CLASS	M5		
WEIGHT	660 kg		



CONTROLLER



TYPE	MA-25H40G13(S)
NAME	OUTLINE
DRAWN No.	051475