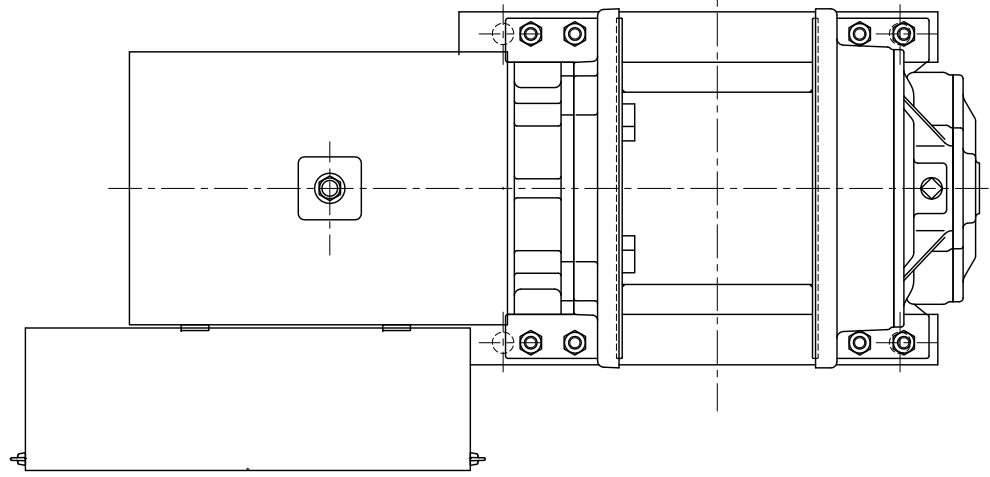


SPECIFICATION

MODEL	MA-2(S)		
FREQUENCY	50 Hz	60 Hz	
RATED LOAD	250 kg	200 kg	
ROPE SPEED	29 m/min	35 m/min	
LENGTH OF WINDING	ø6×120m		
MOTOR	OUTPUT	POLES	VOLTAGE
	1.5kW	4P	200V
ISO CLASS	M5		
WEIGHT	78 kg		



CONTROLLER

549

213

MAGNETIC BRAKE

151

OIL PLUG

ø270

ø152.5

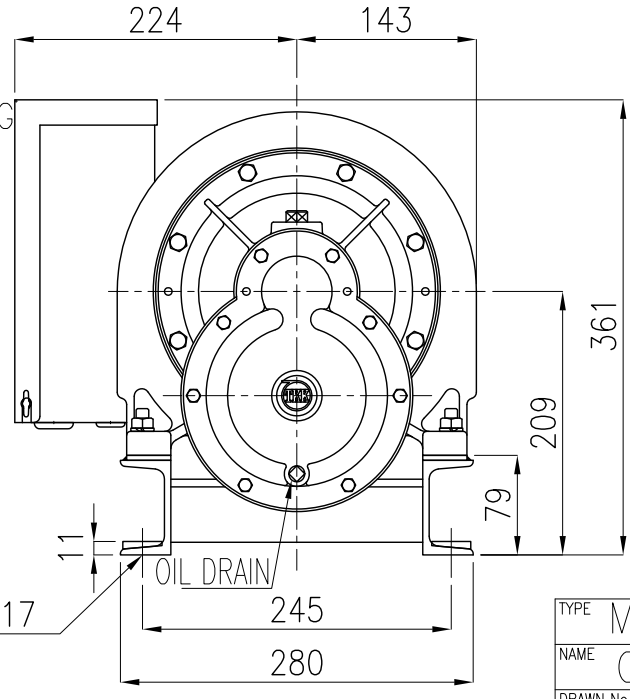
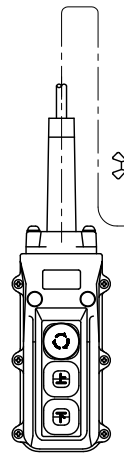
35

170

145

30

380



224

143

361

209

79

4-ø17

ø17

OIL DRAIN

245

280

TYPE	MA-2(S)
NAME	OUTLINE
DRAWN No.	051444 Δ